

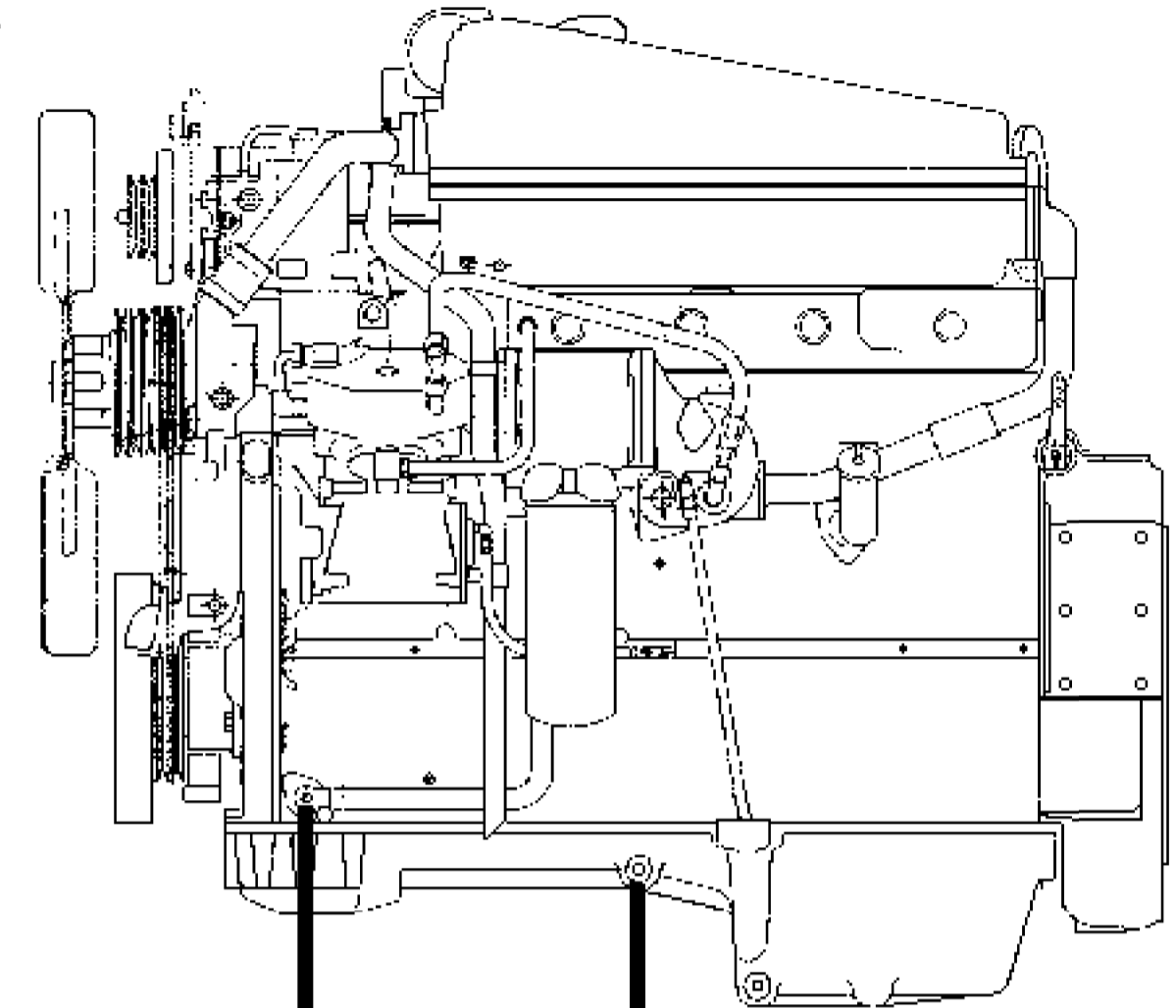
Current production Caterpillar 3306B diesel engines are produced with spin-on full-flow filters, but are not factory-equipped with bypass filters. If a bypass filter has been installed, it must be removed from the engine prior to installation of the Spinner II Centrifuge, and ports other than those identified in this bulletin must be plugged.

The Cat 3306B engine has a convenient fitting for lube oil supply of the Spinner II centrifuge located on the front lower left side of the block, just above the pan. This 1/4" NPT plug is on the elbow connecting the lube pump to the full-flow filter, as shown in the drawing.

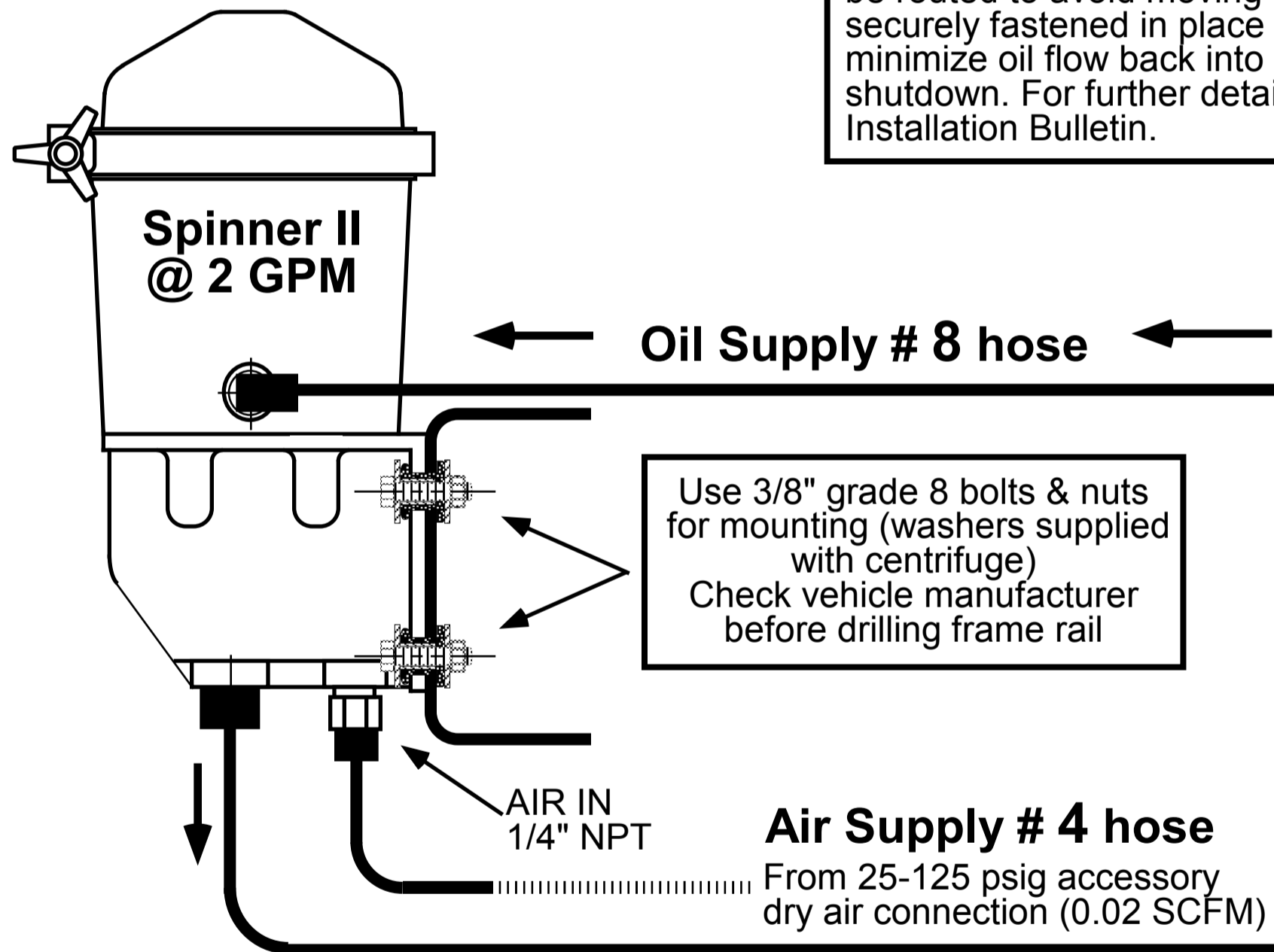
The best return point on the engine is located on the same side as supply. This 1" NPT fitting is positioned near the top of the pan, slightly behind the mid-section of the engine.

Off-road applications of the 3300 series engine can be equipped with the Spinner II centrifuge in a manner similar to that shown in this bulletin. For those vehicles which do not have a continuous compressed air source, consult with Spinner II Products and request Bulletin 86.020.

Cat 3306B Engine



The Spinner II unit should be securely mounted to the frame rail or other firm support. Hoses should be routed to avoid moving parts and flying objects, securely fastened in place and positioned to minimize oil flow back into unit at engine shutdown. For further details, refer to Service & Installation Bulletin.



Use 3/8" grade 8 bolts & nuts for mounting (washers supplied with centrifuge)
Check vehicle manufacturer before drilling frame rail

To the best of our knowledge, this information is accurate and will provide safe and efficient operation of both the Spinner II centrifuge and the engine. Engines and options are subject to change. If you experience any problems with installation or operation, please contact your Spinner II Distributor or call our customer service department, at the following toll-free phone number: 800-231-7746.

Connect the Spinner II lube oil return port to a convenient pan or block fitting positioned as high above the oil level as possible.

INSTALLATION BULLETIN

SPINNER II
© Spinner II Products / T. F. Hudgins, Incorporated
Houston, Texas 77292-0946

1	31 Mar 92	Update	sr
rev	date	change	by

Spinner II Centrifuge SE Installation on Caterpillar 3306B Engine

drawn SAR	checked WM	approved WM	project	date © 15-Nov-88	dwg A1-4102-1
--------------	---------------	----------------	---------	---------------------	-------------------------