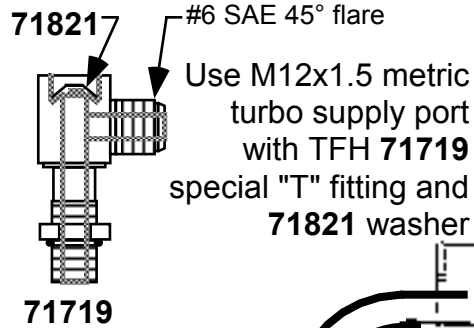
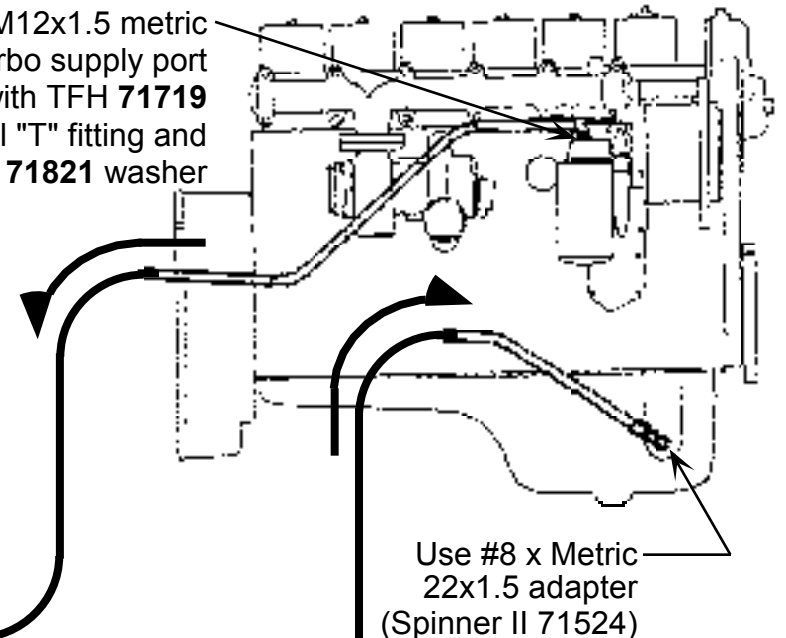


The Cummins B Series is available in either a 4-cylinder (Model 4B3.9) or 6-cylinder (Model 6B5.9) arrangement. Engine shown to right is a turbocharged truck version 6BT5.9; it can be equipped with a 1 gpm centrifuge. If vehicle *does not* have compressed air brakes, but does have a turbocharger, refer to Bulletin 86.020; if there is no compressed air source, contact Spinner II Products.

To obtain adequate oil pressure, supply oil with #8 hose to centrifuge from full-flow filter head using special TFH-supplied "T" fitting (PN 71719) placed into turbo supply port, as shown (see also check valve requirement, below). Return oil to pan into immersion heater port, using metric-to-flare conversion adapter as shown.



CUMMINS B Series

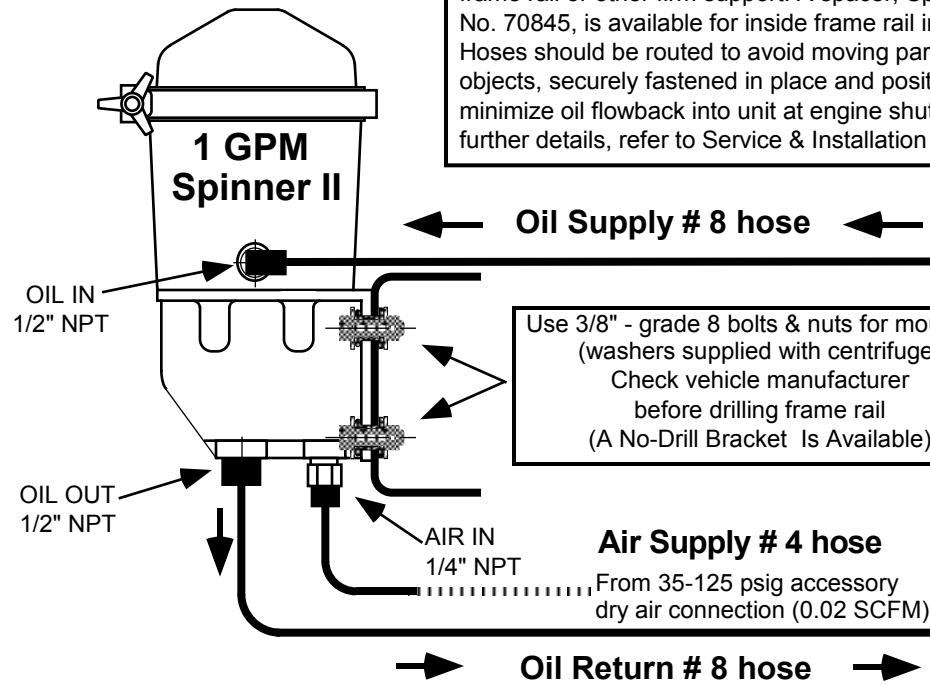


The Spinner II unit should be securely mounted to the frame rail or other firm support. A spacer, Spinner II Part No. 70845, is available for inside frame rail installation. Hoses should be routed to avoid moving parts and flying objects, securely fastened in place and positioned to minimize oil flowback into unit at engine shutdown. For further details, refer to Service & Installation Bulletin.

Use 3/8" - grade 8 bolts & nuts for mounting (washers supplied with centrifuge)
Check vehicle manufacturer before drilling frame rail
(A No-Drill Bracket Is Available)

Cummins Engine Company requires the use of a inlet supply control valve on any application of a bypass oil cleaner for the B Series engine. Integral cut out valve supplied on this product opens at 30 psi supply pressure.

To the best of our knowledge, this information is accurate and will provide safe and efficient operation of both the Spinner II centrifuge and the engine. Engines and options are subject to change. If you experience any problems with installation or operation, please contact your Spinner II Distributor or call our customer service department, at the following toll-free phone number: 800-231-7746.



INSTALLATION BULLETIN

SPINNER II

Spinner II Products / T. F. Hudgins, Incorporated
Houston, Texas 77292-0946

| | | |
|-------------|---------|----------|
| drawn sr | checked | approved |
|-------------|---------|----------|

| | | | |
|-----|--------------------------------|-----------|-----|
| 5 | Specified 1 GPM model required | 11 Dec 98 | rbc |
| rev | change | date | by |

Installation of Spinner II Centrifuge on Cummins B

| | | |
|---------|---------------------|-------------------------|
| project | date © 19 Mar 93 | dwg A1-4822-5 |
|---------|---------------------|-------------------------|