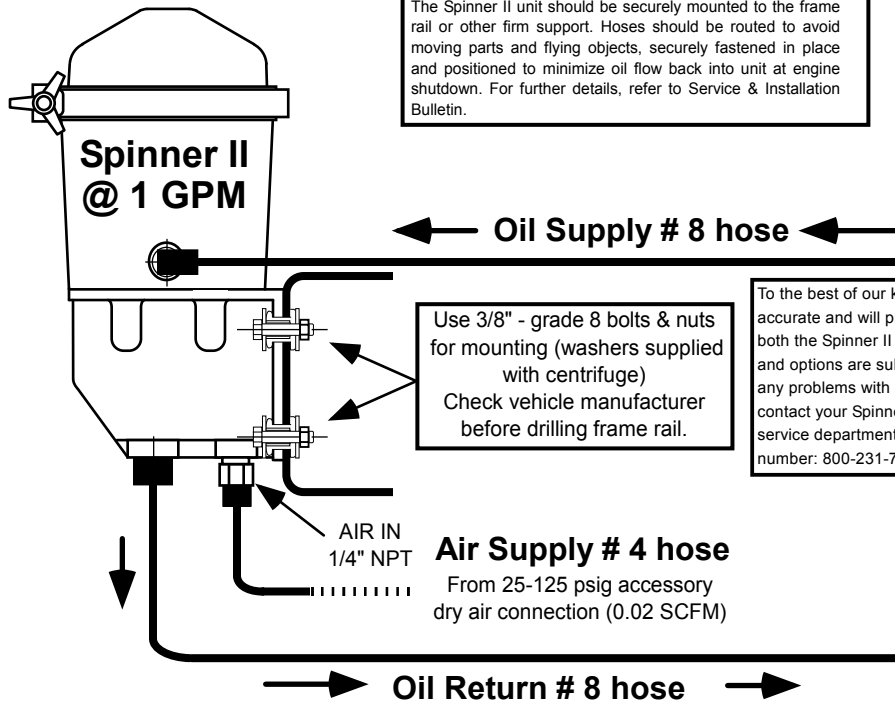
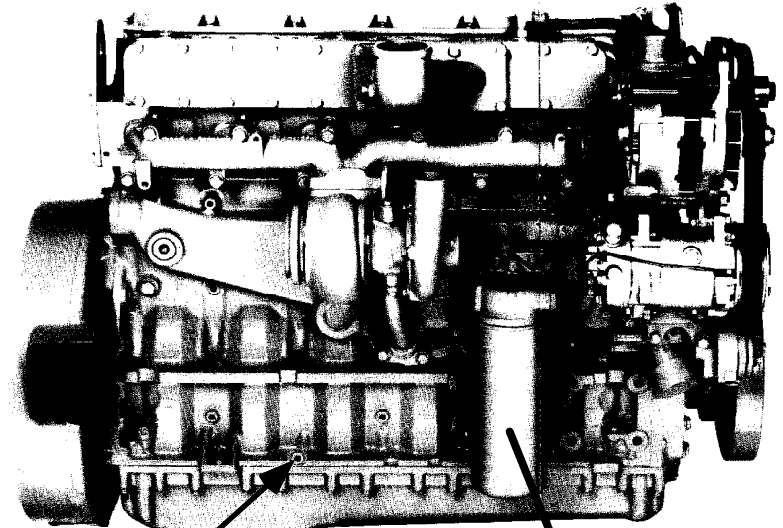


Production Caterpillar 3116 and 3126 diesel engines are produced with spin-on full-flow filters, but are not factory-equipped with bypass filters. If a bypass filter has been installed, it must be removed from the engine prior to installation of the Spinner II Centrifuge, and ports other than those identified in this bulletin must be plugged.

If engine is NA, connect the Spinner II lube oil supply port to a 3/4"-16 (#8) O-ring port located on the left end of the filter manifold (see drawing below, right side of engine); alternate port for turbo'd engines, 1/4" NPTF, available on **left** side of engine at same axial position as lube filter head port on right.

Connect the Spinner II lube oil return port to one of two 3/4"-16 (#8) O-ring pan drain ports or into 9/16"-18 (#6) O-ring port on block, right side center as shown.

# Caterpillar 3116 and 3126



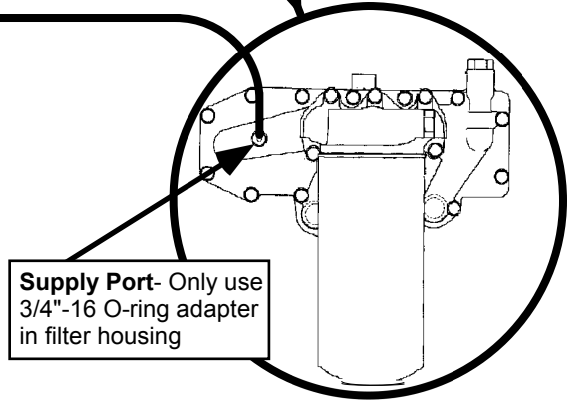
The Spinner II unit should be securely mounted to the frame rail or other firm support. Hoses should be routed to avoid moving parts and flying objects, securely fastened in place and positioned to minimize oil flow back into unit at engine shutdown. For further details, refer to Service & Installation Bulletin.

Use 3/8" - grade 8 bolts & nuts for mounting (washers supplied with centrifuge)  
Check vehicle manufacturer before drilling frame rail.

To the best of our knowledge, this information is accurate and will provide safe and efficient operation of both the Spinner II centrifuge and the engine. Engines and options are subject to change. If you experience any problems with installation or operation, please contact your Spinner II Distributor or call our customer service department, at the following toll-free phone number: 800-231-7746.

**Air Supply # 4 hose**  
From 25-125 psig accessory dry air connection (0.02 SCFM)

Alternate Return Port



Supply Port- Only use 3/4"-16 O-ring adapter in filter housing

## INSTALLATION BULLETIN

### SPINNER II

Spinner II Products / T. F. Hudgins, Incorporated  
Houston, Texas 77292-0946

drawn sr	checked	approved
-------------	---------	----------

1	Identify additional ports (info verified and updated 7/02)	1 April 97	TXB
rev	change	date	by

### Spinner II Installation on Caterpillar 3116/3126 Diesel Engine

project	date © 10 Nov 1994	dwg <b>A1-5134-1</b>
---------	-----------------------	-------------------------