

This bulletin provides installation guidelines for use of the Model 3600 HD centrifuges for this engine, in both diesel and spark-ignited arrangements.

Current production Caterpillar® 3600 diesel engines are produced with full-flow filters, and in most cases are also equipped with a minimal amount of lower flowrate Model 200 Mann & Hummel centrifuges.

The lube oil supply for the Spinner II® centrifuges is made by connection to a port on the emergency lube oil supply, cover PN 4W8775. Create the port by drilling and tapping the cover to install a pipe or hose adapter, or use a weld-style adapter.

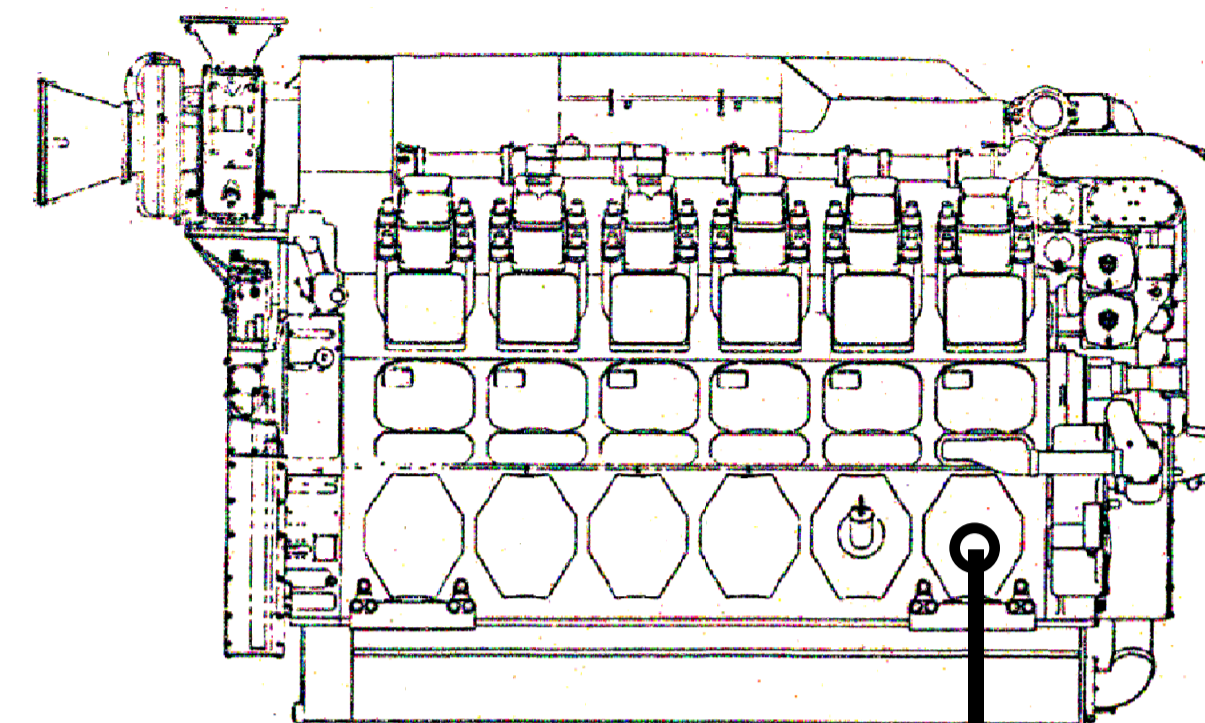
Connect the Spinner II lube oil return port to a convenient pan fitting. Another practical alternative is to drill and tap a crankshaft access door cover to

accept a return line connection. Insure adequate clean-up of parts after any machining. Refer to Service and Installation Instructions Bulletin # 71601.

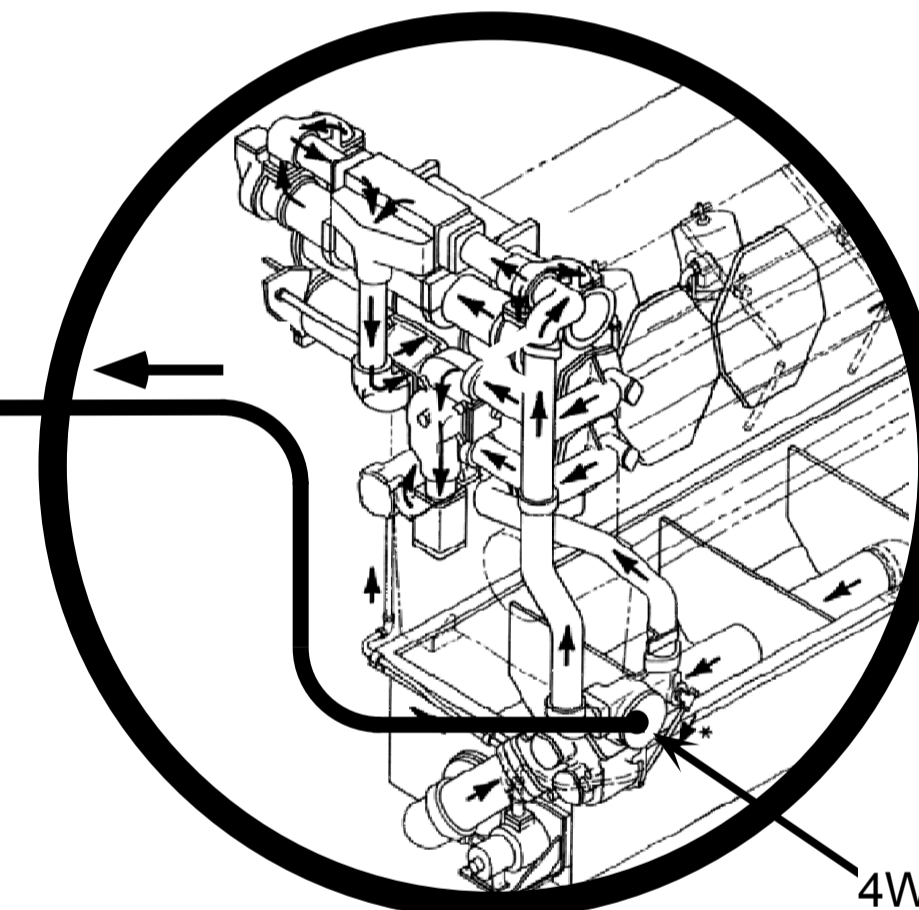
### Application Matrix

Engine	Rated Speed (rpm)	Spinner II Centrifuge Model	Req'd Qty	Minimum Supply A	Minimum Return B
3606	750	3600-12 HD	2	0.88	0.88
3606	1000	3600-12 HD	2	0.88	0.88
3608	750	3600 HD	2	0.88	0.88
3608	1000	3600 HD	2	0.88	0.88
3612	750	3600-12 HD	3	1.12	1.12
3612	1000	3600-12 HD	3	1.12	1.12
3616	750	3600-12 HD	3	1.12	1.12
3616	1000	3600 HD	3	1.12	1.12

### Cat® 3600 Series Engine



Right Side



Left Side  
Emergency  
Lube Supply

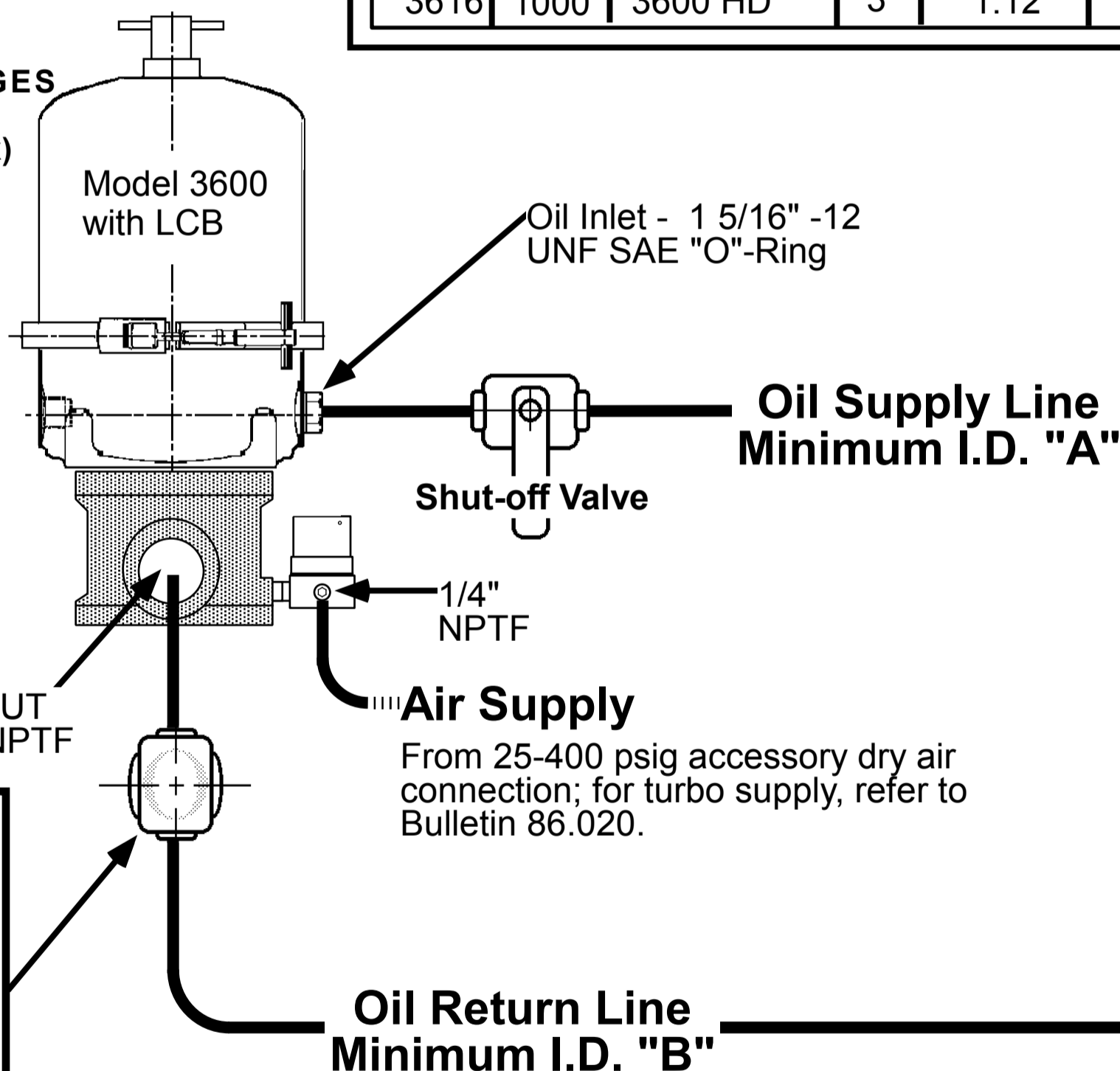
4W8775  
Cover

**MULTIPLE CENTRIFUGES ARE REQUIRED**  
(see Application Matrix)

To the best of our knowledge, this information is accurate and will provide safe and efficient operation of both the Spinner II centrifuge and the engine. Engines and options are subject to change. If you experience any problems with installation or operation, please contact your Spinner II Distributor or call our customer service department, at the following phone number: 800-231-7746 (713-682-3651).

The Spinner II Model 3600HD Centrifuge must **never** have a shut-off valve installed in the return line.

To prevent backflow during service of below-oil-level return locations, a 1.5" swing check valve may be installed.



2	7/19/10	Changed to 3600	CRB
1	3/7/03	Changed to Mann and Hummel Manufacturer	EKH
rev	date	change	by

# INSTALLATION BULLETIN

## SPINNER II

© Spinner II Products / T. F. Hudgins, Incorporated  
Houston, Texas 77292-0946

### Spinner II Model 3600 HD Installation on Cat 3600 Series Engines

drawn  
SAR

checked

approved

project

date ©  
27 Apr 98

dwg

**A1-5635-1**