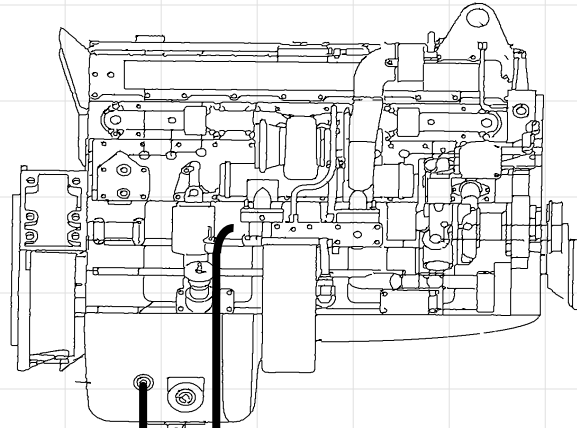


# Cummins ISM Engine

(Models prior to Oct 2002)

Cummins ISM engines have a SINGLE VENTURI FILTER combining both full-flow and bypass sections in a single element. The Spinner II unit may be installed without any changes to the factory filtration system. The 2 gpm flow to the Spinner II centrifuge does not exceed the auxillary oil flow limit permitted by Cummins, even with use of oil-cooled alternator.

The oil supply for all ISM installations is obtained by connection to the "pump out" port, as shown, using the 71762 fitting as shown. Oil return can be to the sump through ports drilled and tapped into 4-bolt covers, or back into a convenient pan port.



To the best of our knowledge, this information is accurate and will provide safe and efficient operation of both the Spinner II centrifuge and the engine. Engines and options are subject to change. If you experience any problems with installation or operation, please contact your Spinner II Distributor or call our customer service department, at the following toll-free phone number: 800-231-7746.

The Spinner II unit should be securely mounted to the frame rail or other firm support. A spacer, Spinner II Part No. 70845, is available for inside frame rail installation. Hoses should be routed to avoid moving parts and flying objects, securely fastened in place and positioned to minimize oil flowback into unit at engine shutdown. For further details, refer to Service & Installation Bulletin.

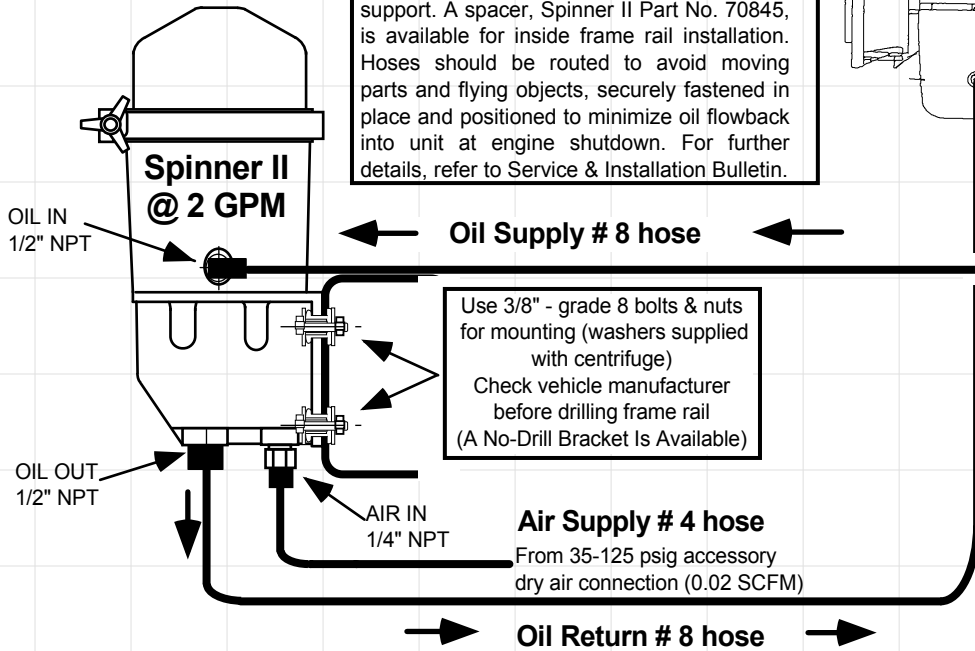
**OIL SUPPLY**  
 1/2" NPT port behind radiator connector;  
 use close-fit adapter

Source:  
 Spinner II  
 Part No. 71762  
 (Brass Forging  
 1/2"NPTM x #8-45° Flare)

Use 3/8" - grade 8 bolts & nuts for mounting (washers supplied with centrifuge)  
 Check vehicle manufacturer before drilling frame rail  
 (A No-Drill Bracket Is Available)

**ALTERNATE SUPPLY PORT**  
 (10-15 psi less than preferred)

**ALTERNATE RETURN:**  
 Fabricate fitting into 4-bolt cover located beneath supply



2	8/05/02	Changed location of return port	TXB
rev	1/25/99	Correct location of supply port	RBC
<b>Installation of Spinner II Centrifuge on Cummins ISM (Models prior to Oct 2002)</b>			
drawn	checked	approved	project
RBC	SR	JW	date © 3 Sept 98
			dwg <b>A1-5713-2</b>

## INSTALLATION BULLETIN

**SPINNER II**®  
 Spinner II Products / T. F. Hudgins, Incorporated  
 Houston, Texas 77292-0946