

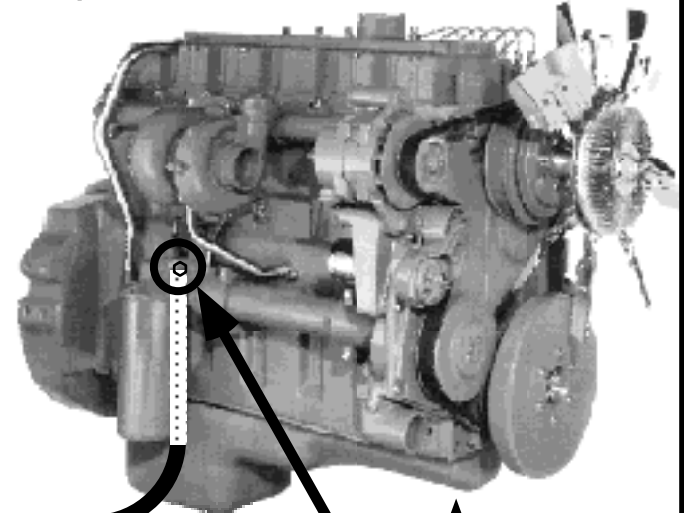
DDC Series 40 diesel engines are produced with full-flow filters, but are not factory-equipped with bypass filters. If a bypass filter has been installed, it must be removed from the engine prior to installation of the Spinner II Centrifuge, and ports other than those identified in this bulletin must be plugged.

Lube oil supply for the Spinner II unit is available by a T-connection into the 1/4" -18 NPTF port on the side of the lube filter head used for the supply of the Delco 50 DN alternator.

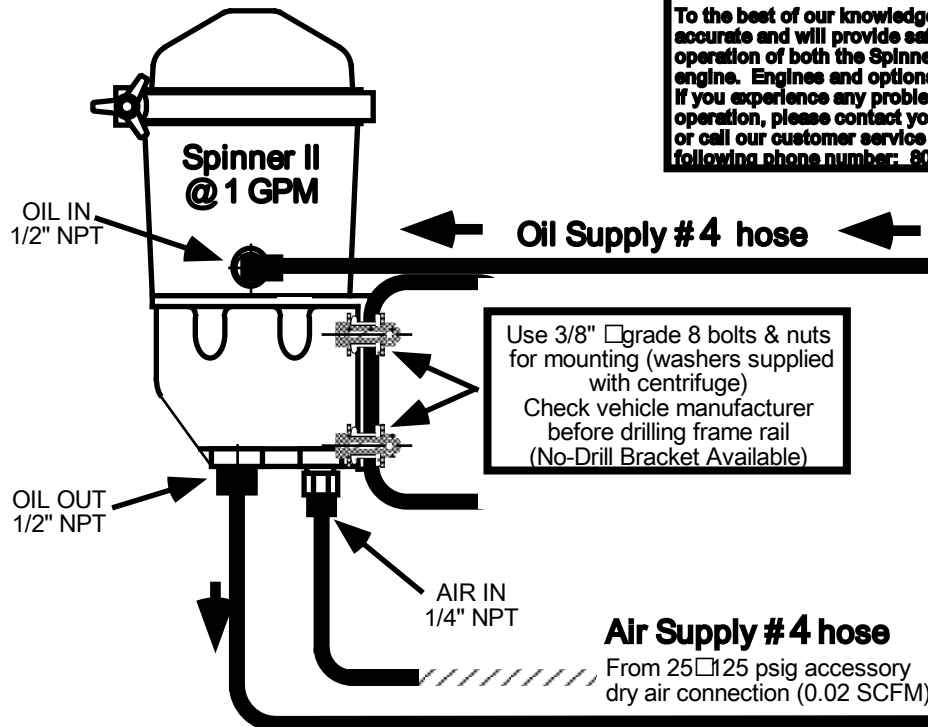
Connect the Spinner II lube oil return port to the 1/4" -18 NPTF port brazed onto the oil fill tube is recommended.

On vehicles equipped with compressed air brakes, use the dry air tank as air supply. For those vehicles without air brakes, follow modifications described in Bulletin 86.020, using additional parts and supply air from the boost side of the turbocharger.

## DDC Series 40 Diesel w/ Delco 50 DN Alternator

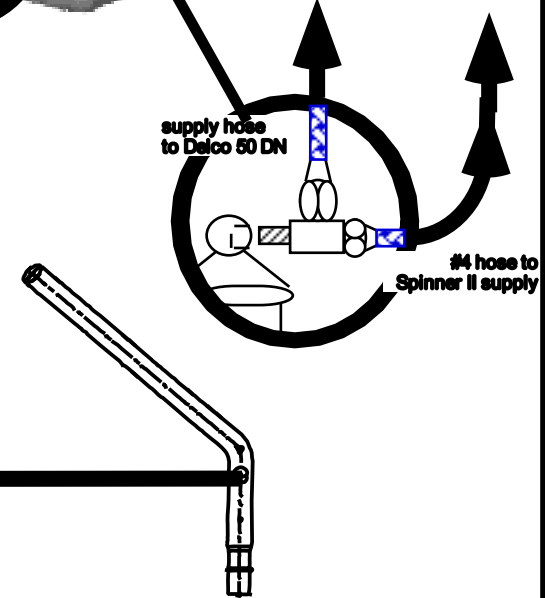


**To the best of our knowledge, this information is accurate and will provide safe and efficient operation of both the Spinner II centrifuge and the engine. Engines and options are subject to change. If you experience any problems with installation or operation, please contact your Spinner II Distributor or call our customer service department, at the following phone number: 800-231-7746.**



Use 3/8" □ grade 8 bolts & nuts for mounting (washers supplied with centrifuge)  
Check vehicle manufacturer before drilling frame rail (No-Drill Bracket Available)

The Spinner II unit should be securely mounted to the frame rail or other firm support. A spacer, Spinner II Part No. 70845, is available for inside frame rail installation. Hoses should be routed to avoid moving parts and flying objects, securely fastened in place and positioned to minimize oil flowback into unit at engine shutdown. For further details, refer to Service & Installation Bulletin.



\*\*Minimize Return Line Length for best performance

|  |         |   |         |           |           |
|--|---------|---|---------|-----------|-----------|
| <h1>SPINNER II</h1> <p>© Spinner II Products / T. F. Hudgins, Incorporated<br/>Houston, Texas 77292-0946</p> |         | rev   | date    | change    | by        |
|  |         | <h2>Spinner II SE Centrifuge Installation on DDC Series 40 w/Delco 50 DN</h2> |         |           |           |
| drawn  | checked | approved  | project | date ©    | dwg       |
| RBC  |         |   |         | 16 Dec 96 | A1-5783-0 |