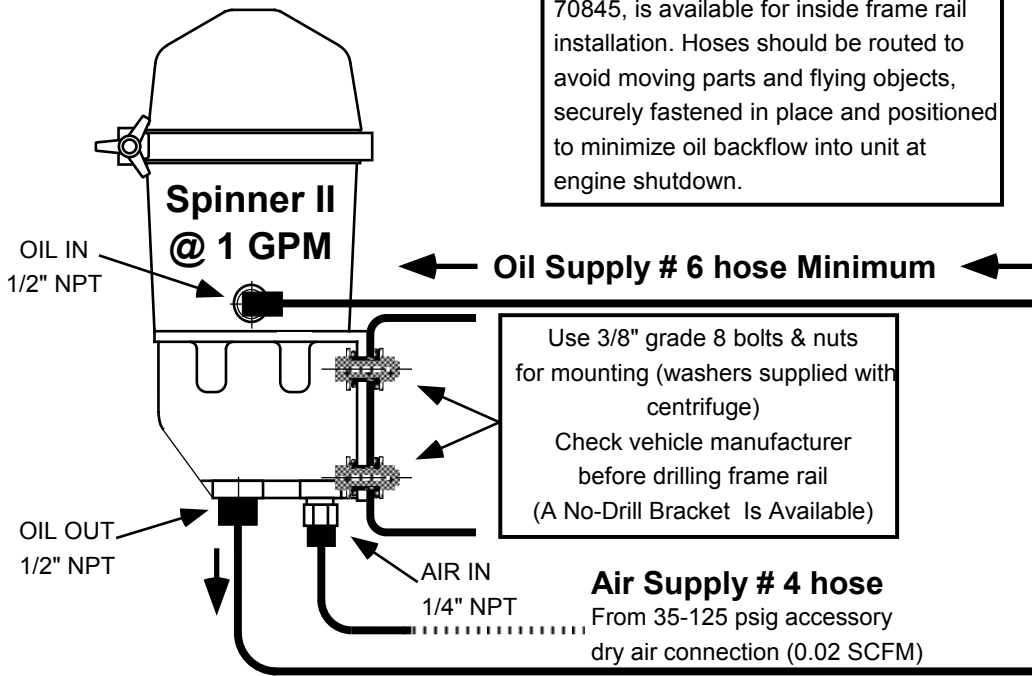


CUMMINS ISL Series

The Cummins ISL Series Engine must be equipped with a Spinner II 1 gpm centrifuge. The centrifuge must incorporate a Spinner II part number 73154, 36psi cut-out valve to allow efficient use of the centrifuge while ensuring reliable engine operation. All other bypass filtration systems must be disassembled and blocked off before installation of the Spinner II Unit.

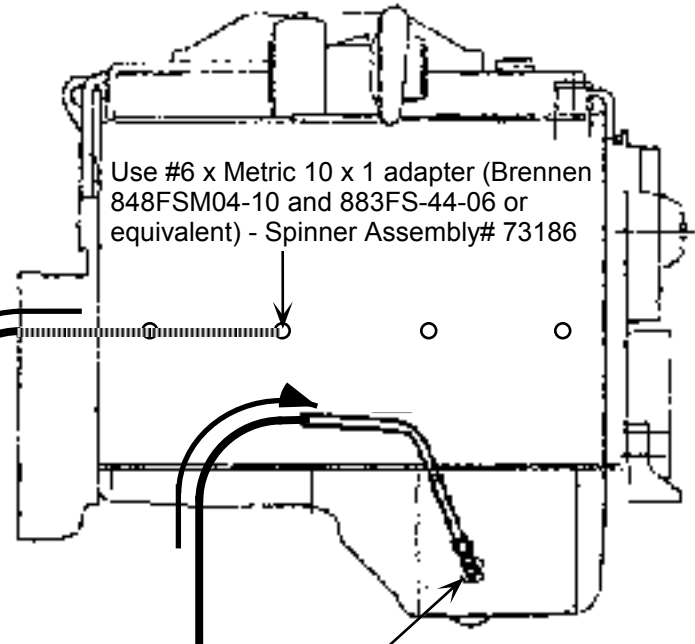
Supply oil to the centrifuge from any available oil rifle port on the fuel pump side of the engine. Return oil to steel oil pan using metric-to-flare conversion adapter as shown, if necessary. Return oil to oil pan or non-pressurized port on the engine, minimum size of 3/8".

The Spinner II unit should be securely mounted to the frame rail or other firm support. A spacer, Spinner II Part No. 70845, is available for inside frame rail installation. Hoses should be routed to avoid moving parts and flying objects, securely fastened in place and positioned to minimize oil backflow into unit at engine shutdown.



Use 3/8" grade 8 bolts & nuts for mounting (washers supplied with centrifuge)
Check vehicle manufacturer before drilling frame rail (A No-Drill Bracket Is Available)

Air Supply # 4 hose
From 35-125 psig accessory dry air connection (0.02 SCFM)



Use #8 x Metric 22 x 1.5 adapter (Voss JM0822 or equivalent)

To the best of our knowledge, this information is accurate and will provide safe and efficient operation of both the Spinner II centrifuge and the engine. Engines and options are subject to change. If you experience any problems with installation or operation, please contact your Spinner II Distributor or call our customer service department, at the following toll-free phone number: 800-231-7746.

Oil Return # 8 hose

3	4/12/06	GENERAL REVISION	TB	2	1 18 02	ADD RIFLE PORT CONNECTOR INFO (Verified and updated info 7/02)	TB
				1	9 18 01	CHANGE BULLETIN TO UTILIZE OIL RIFLE	MP
				rev	date	change	by

INSTALLATION BULLETIN

SPINNER II[®]
© Spinner II Products / T. F. Hudgins, Incorporated
Houston, Texas 77292-0946

Installation of Spinner II for Cummins ISL

drawn	checked	approved	project	date ©	dwg
	EH	JW		01/18/02	A1-6274-3