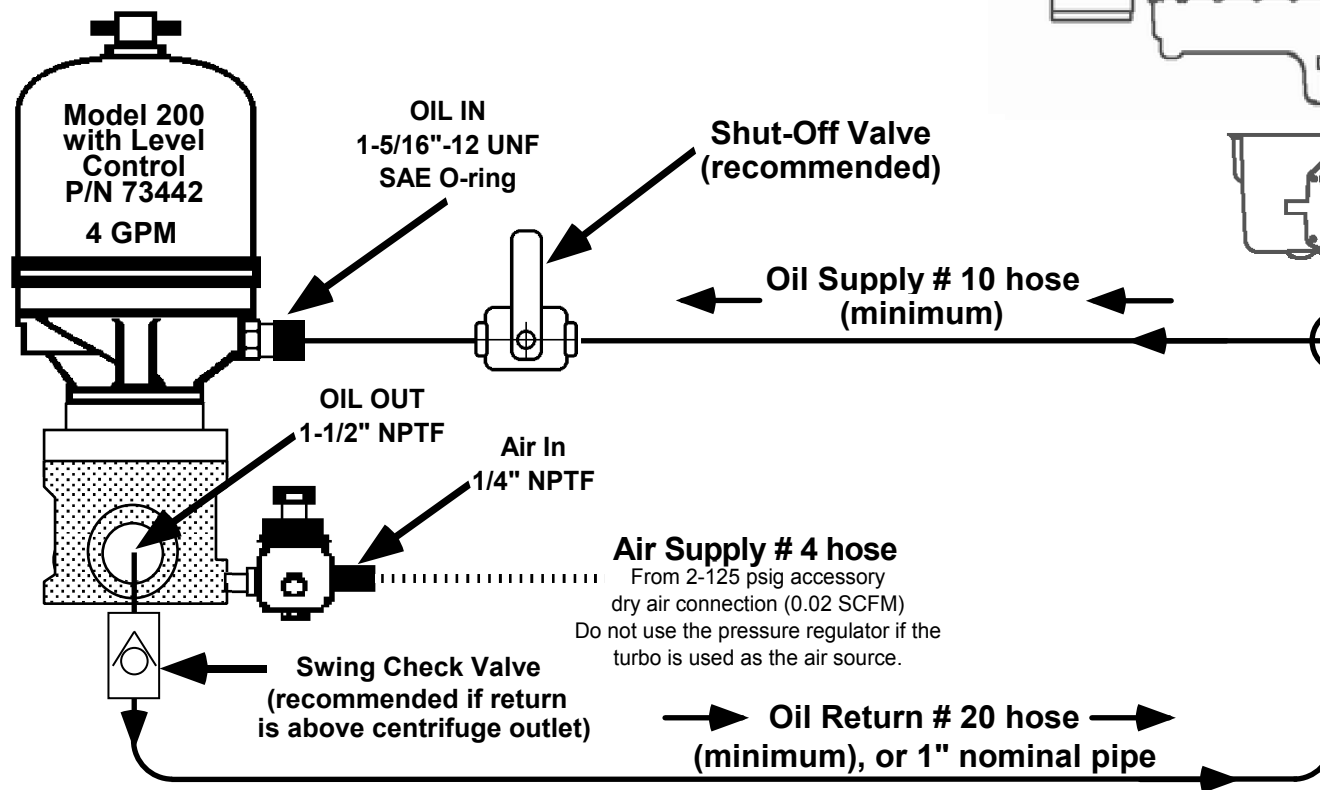
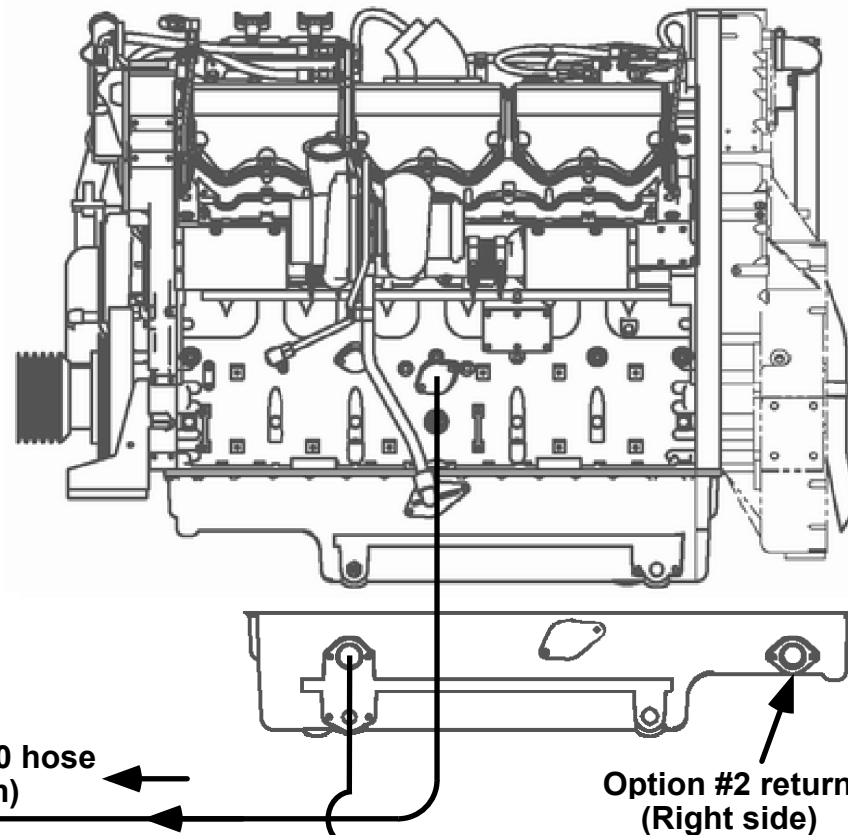


Production Caterpillar C27 and C32 diesel engines are produced with 2 spin-on filters. If a bypass filter or any other bypass filtration device has been installed (other than those identified in this bulletin), it must be removed from the engine prior to installation of the Spinner II Centrifuge, and ports other than those identified in this bulletin must be plugged.

Connect the Spinner II lube oil supply port to a 1-5/16"-12 fitting either threaded into the plate or welded on liquid tight (left side of the engine Cat. PN 4N0794). DO NOT use the 9/16"-18 plugs on the oil filter head as they are too small to provide sufficient flow to the centrifuge.

Connect the Spinner II® lube oil return port to a drain port made by threading or liquid tight welding a 1-5/8"-12 fitting to the plate (right side of the engine Cat. PN 4N0794) as shown or by welding a 1-1/4" NPTF coupling to the plate if using pipe for the return. There are two of these plates for the return shown.

**Note:** It is recommended that the Spinner II centrifuge be located at a position above that of the sump level. If this is not possible, it is strongly advised that a swing style check valve be placed in the return line at the centrifuge to prevent back flow to the unit.



To the best of our knowledge, this information is accurate and will provide safe and efficient operation of both the Spinner II® centrifuge and the engine. Engines and options are subject to change. If you experience any problems with installation or operation, please contact your Spinner II® Distributor or call our customer service department, at the following toll-free phone number: 800-231-7746.

The Spinner II® unit should be securely mounted to the frame rail or other firm support. Hoses should be routed to avoid moving parts and flying objects, securely fastened in place and positioned to minimize oil flow back into unit at engine shutdown. For further details, refer to Service & Installation Bulletin.

# INSTALLATION BULLETIN

## SPINNER II®

© Spinner II Products / T. F. Hudgins, Incorporated  
Houston, Texas 77292-0946

drawn **CRB** checked **CRB** approved

rev      date      change      by

### Spinner II® Installation on Caterpillar C27 & C32 Diesel Engines

project      date © **07/14/09**      dwg **A1-6462**