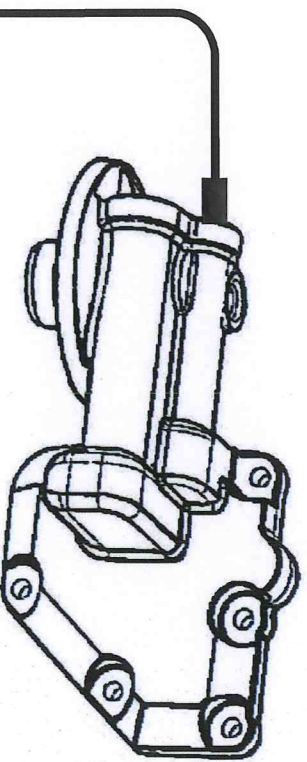


# John Deere 6068 Engine

Current production John Deere 6068 diesel engines are produced with spin-on full-flow filters, but are not factory-equipped with bypass filters. If a bypass filter has been installed, it must be removed from the engine prior to installation of the Spinner II Centrifuge, and ports other than those identified in this bulletin must be plugged.

Connect the Spinner II lube oil supply to the feed line to the externally mounted filter head by removing the plug (P/N R116115). This thread is M22 X 1.5. Use Parker P/N 10M22F8OMX and 10-6TRTXN or equivalent to provide #6 outlet.

Connect the Spinner II lube oil return to a modified plate on the block (P/N R116296). Use a 1" return line as this unit is gravity drain. The return should always run downwards with no horizontal sections or sections that run upwards as the centrifuge will not function correctly under these conditions. Contact Spinner II for gravity drain assistance if you are not familiar with this application.



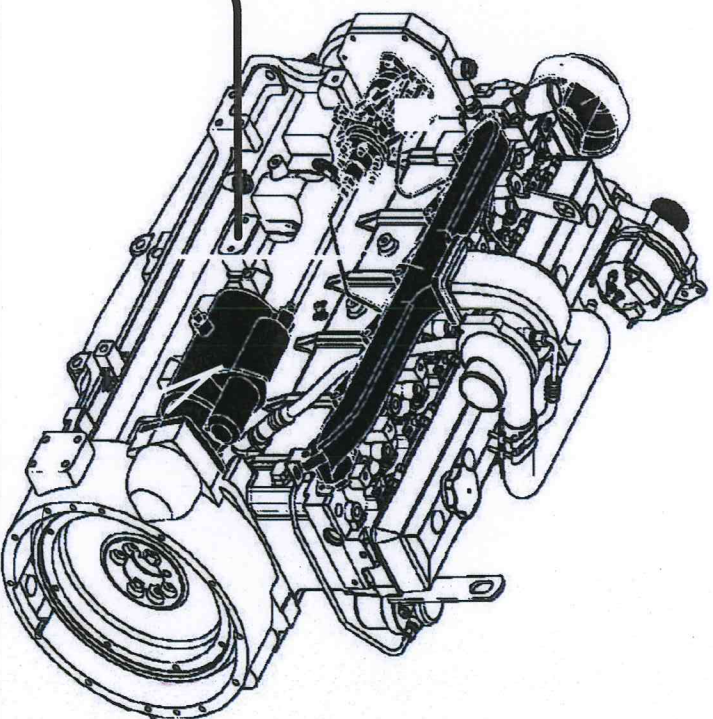
**Spinner II  
Model 25  
.8GPM**

Oil Supply # 6 hose

Oil Return # 16 hose

The Spinner II unit should be securely mounted to the frame rail or other firm support. Hoses should be routed to avoid moving parts and flying objects, securely fastened in place and positioned to minimize oil flow back into unit at engine shutdown. For further details, refer to Parts & Installation Bulletin.

To the best of our knowledge, this information is accurate and will provide safe and efficient operation of both the Spinner II centrifuge and the engine. Engines and options are subject to change. If you experience any problems with installation or operation, please contact your Spinner II Distributor or call our customer service department, at the following toll-free phone number: 800-231-7746.



## INSTALLATION BULLETIN

### SPINNER II®

Spinner II Products / T. F. Hudgins, Incorporated  
Houston, Texas 77292-0946

drawn  
CRB

checked

approved

rev

change

date

by

Spinner II Installation on John  
Deere 6068 engine

project

date @

dwg

27 Aug 2013

**A1-6471-0**